

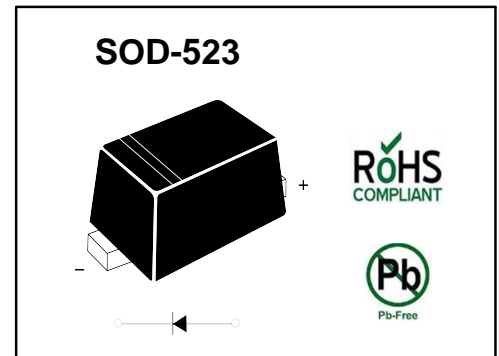
SILICON PLANAR ZENER DIODES

Features

- Power Dissipation: 200 mW
- Zener Voltage Tolerance: $\pm 2\%$

PINNING

PIN	DESCRIPTION
1	Cathode
2	Anode



Absolute Maximum Ratings ($T_a = 25\text{ }^\circ\text{C}$)

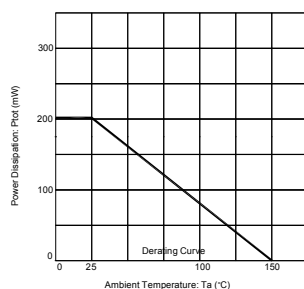
Parameter	Symbol	Value	Unit
Total Device Dissipation	P_{tot}	200	mW
Junction Temperature	T_j	150	$^\circ\text{C}$
Storage Temperature Range	T_{Stg}	- 55 to + 150	$^\circ\text{C}$

Characteristics at $T_a = 25\text{ }^\circ\text{C}$

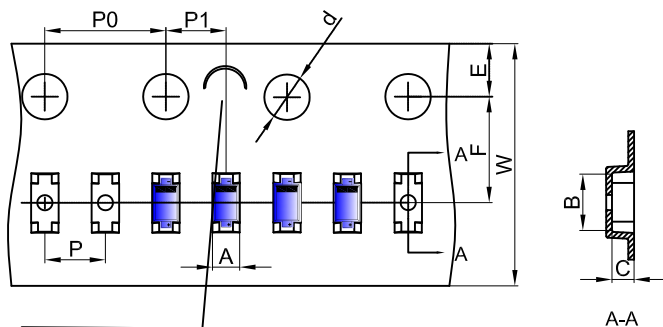
Parameter	Symbol	Max.	Unit
Thermal Resistance Junction to Ambient Air	$R_{\theta JA}$	635	$^\circ\text{C/W}$
Forward Voltage at $I_F = 10\text{ mA}$	V_F	0.9	V

Type	Marking Code	Zener Voltage Range ¹⁾			Dynamic Impedance		Reverse Leakage Current	
		V _{znom} V	I _{ZT} mA	V _{ZT} V	Z _{ZT} (Max.) Ω	at I _Z mA	I _R (Max.) iA	at V _R V
MM5Z2B4	XY	2.4	5	2.352...2.448	100	5	120	1
MM5Z2B7	XZ	2.7	5	2.646...2.754	110	5	120	1
MM5Z3B0	FR	3.0	5	2.94...3.06	120	5	50	1
MM5Z3B3	FX	3.3	5	3.234...3.366	130	5	20	1
MM5Z3B6	FY	3.6	5	3.528...3.672	130	5	10	1
MM5Z3B9	FZ	3.9	5	3.822...3.978	130	5	5	1
MM5Z4B3	HA	4.3	5	4.214...4.386	130	5	5	1
MM5Z4B7	HB	4.7	5	4.606...4.794	130	5	2	1
MM5Z5B1	HC	5.1	5	4.998...5.202	130	5	2	1.5
MM5Z5B6	HD	5.6	5	5.488...5.712	80	5	1	2.5
MM5Z6B2	HE	6.2	5	6.076...6.324	50	5	1	3
MM5Z6B8	HF	6.8	5	6.664...6.936	30	5	0.5	3.5
MM5Z7B5	HH	7.5	5	7.35...7.65	30	5	0.5	4
MM5Z8B2	HJ	8.2	5	8.036...8.364	30	5	0.5	5
MM5Z9B1	HK	9.1	5	8.918...9.282	30	5	0.5	6
MM5ZB10	HM	10	5	9.8...10.2	30	5	0.1	7
MM5ZB11	HN	11	5	10.78...11.22	30	5	0.1	8
MM5ZB12	HP	12	5	11.76...12.24	35	5	0.1	9
MM5ZB13	HR	13	5	12.74...13.26	35	5	0.1	10
MM5ZB15	HX	15	5	14.7...15.3	40	5	0.1	11
MM5ZB16	HY	16	5	15.68...16.32	40	5	0.1	12
MM5ZB18	HZ	18	5	17.64...18.36	45	5	0.1	13
MM5ZB20	JA	20	5	19.6...20.4	50	5	0.1	15
MM5ZB22	JB	22	5	21.56...22.44	55	5	0.1	17
MM5ZB24	JC	24	5	23.52...24.48	60	5	0.1	19
MM5ZB27	JD	27	5	26.46...27.54	70	2	0.1	21
MM5ZB30	JE	30	5	29.4...30.6	80	2	0.1	23
MM5ZB33	JF	33	5	32.34...33.66	80	2	0.1	25
MM5ZB36	JH	36	5	35.28...36.72	90	2	0.1	27
MM5ZB39	JJ	39	2.5	38.22...39.78	100	2	2	30
MM5ZB43	JK	43	2.5	42.14...43.86	130	2	2	33
MM5ZB47	JM	47	2.5	46.06...47.94	150	2	2	36
MM5ZB51	YA	51	2.5	49.98...52.02	180	2	1	39
MM5ZB56	YB	56	2.5	54.88...57.12	180	2	1	43
MM5ZB62	YC	62	2.5	60.76...63.24	200	2	0.2	47
MM5ZB68	YD	68	2.5	66.64...69.36	250	2	0.2	52
MM5ZB75	YE	75	2.5	73.5...76.5	300	2	0.2	57

¹⁾ Tested with pulses tp = 20 ms.



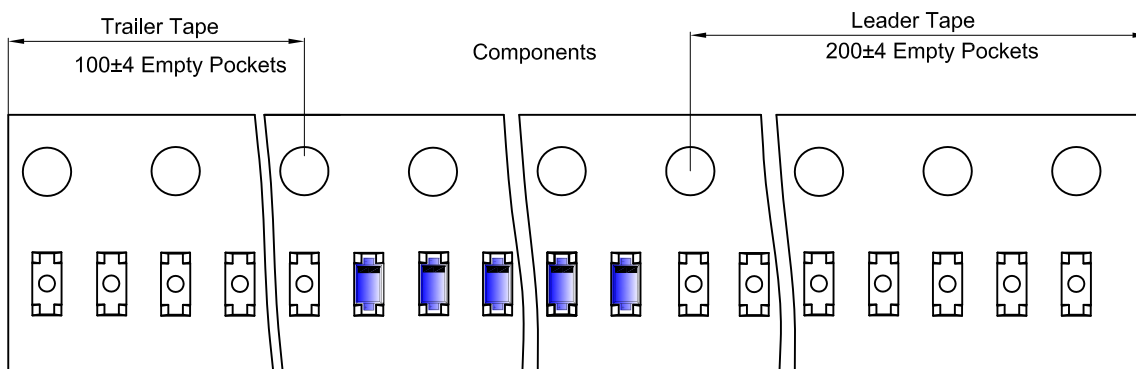
SOD-523 Embossed Carrier Tape



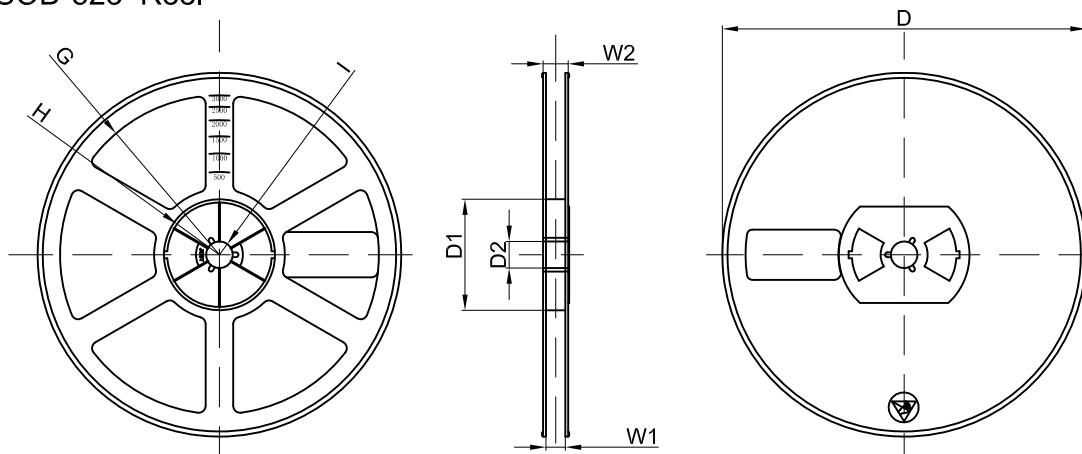
NOTE: TO GAVE 'C' ON CARRIER TAPE PER 120MM

Dimensions are in millimeter										
Pkg type	A	B	C	d	E	F	P0	P	P1	W
SOD-523	0.9	1.94	0.73	Ø1.50	1.75	3.50	4.00	2.00	2.00	8.00

SOD-523 Tape Leader and Trailer



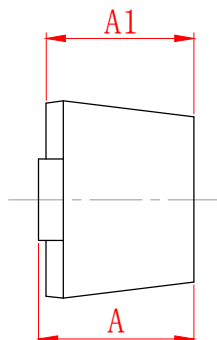
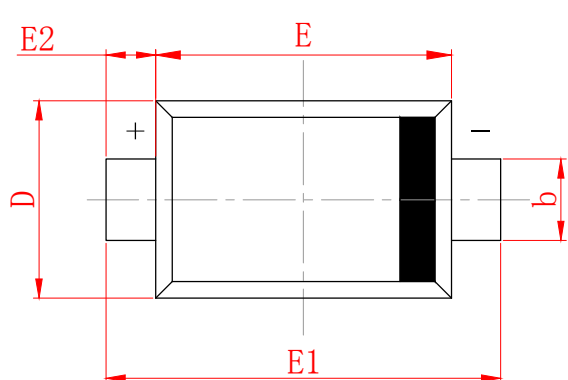
SOD-523 Reel



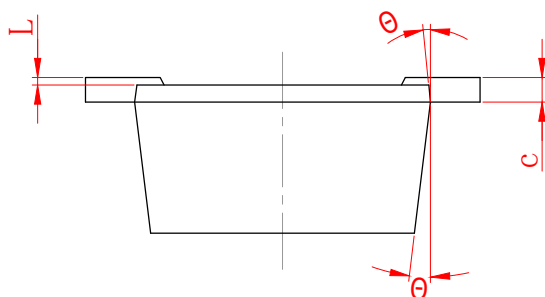
Dimensions are in millimeter								
Reel Option	D	D1	D2	G	H	I	W1	W2
7" Dia	Ø178.00	54.40	13.00	R78.00	R25.60	R6.50	9.50	12.30

REEL	Reel Size	Box	Box Size(mm)	Carton	Carton Size(mm)	G.W.(kg)
8000 pcs	7 inch	120,000 pcs	203×203×195	480,000 pcs	438×438×220	

SOD-523 Package Outline Dimensions



SYMBOL	MILLIMETER	
	MIN	MAX
A	0.530	0.730
A1	0.500	0.700
b	0.280	0.380
c	0.080	0.150
D	0.750	0.850
E	1.100	1.300
E1	1.500	1.700
E2	0.200 REF	
L	0.010	0.070
θ	7° REF	



DISCLAIMER

JHG PROVIDES TECHNICAL AND RELIABILITY DATA (INCLUDING DATASHEETS), DESIGN RESOURCES (INCLUDING REFERENCE DESIGNS), APPLICATION OR OTHER DESIGN ADVICE, SAFETY INFORMATION, AND OTHER RESOURCES "AS IS" AND WITH ALL FAULTS, AND DISCLAIMS ALL WARRANTIES, EXPRESS AND IMPLIED, INCLUDING WITHOUT LIMITATION ANY IMPLIED WARRANTIES OF MERCHANTABILITY, FITNESS FOR A PARTICULAR PURPOSE OR NON-INFRINGEMENT OF THIRD PARTY INTELLECTUAL PROPERTY RIGHTS.

These resources are intended for skilled developers designing with JHG products. You are solely responsible for

- (1) selecting the appropriate JHG products for your application;
- (2) designing, validating and testing your application;
- (3) ensuring your application meets applicable standards, and any other safety, security, or other requirements.

These resources are subject to change without notice. JHG grants you permission to use these resources only for development of an application that uses the JHG products described in the resource. Other reproduction and display of these resources are prohibited. No license is granted to any other JHG intellectual property right or to any third party intellectual property right. JHG disclaims responsibility for, and you will fully indemnify JHG and its representatives against, any claims, damages, costs, losses, and liabilities arising out of your use of these resources.