

SOD-123 Plastic-Encapsulate Diodes

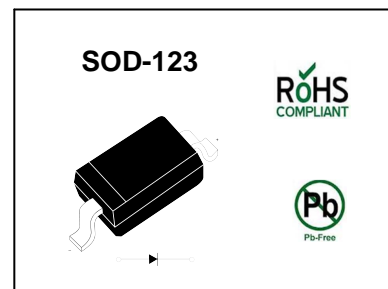
PINNING

PIN	DESCRIPTION
1	Cathode
2	Anode

ZENER DIODE

Features

- Pb-Free Packages are Available
- Wide Zener Reverse Voltage Range
- Small Package Size for High Density Applications
- ESD Rating of Class 3 (>16 kV) per Human Body Model



Maximum Ratings ($T_a = 25^\circ\text{C}$ unless otherwise specified)

Characteristic	Symbol	Value	Unit
Forward voltage @ $I_F=10\text{mA}$	V_F	0.9	V
Power Dissipation	P_D	350	mW
Thermal Resistance, Junction to Ambient Air	$R_{\theta JA}$	357	$^\circ\text{C/W}$
Operating and Storage Temperature Range	T_j, T_{STG}	-65 ~ +150	$^\circ\text{C}$

Notes: Device mounted on ceramic PCB; 5.0mm×7.0mm with pad areas 35 mm²

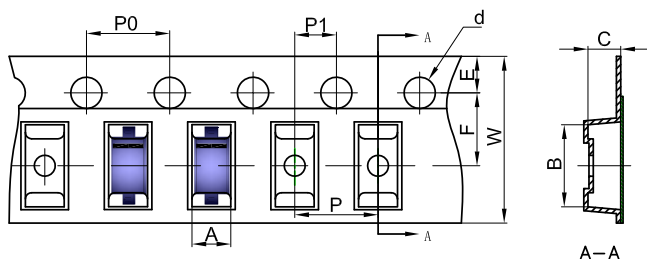
ELECTRICAL CHARACTERISTICS (T_A = 25°C unless otherwise noted)

Device	Device Marking	Zener Voltage (Notes 1)				Leakage Current		
		V _Z (Volts)			@ I _{ZT}	I _R @ V _R		
		Min	Nom	Max	μA	μA	Volts	
MMSZ4678	CC	1.71	1.8	1.89	50	7.5	1	
MMSZ4679	CD	1.90	2.0	2.10	50	5	1	
MMSZ4680	CE	2.09	2.2	2.31	50	4	1	
MMSZ4681	CF	2.28	2.4	2.52	50	2	1	
MMSZ4682	CH	2.565	2.7	2.835	50	1	1	
MMSZ4683	CJ	2.85	3.0	3.15	50	0.8	1	
MMSZ4684	CK	3.13	3.3	3.47	50	7.5	1.5	
MMSZ4685	CM	3.42	3.6	3.78	50	7.5	2	
MMSZ4686	CN	3.70	3.9	4.10	50	5	2	
MMSZ4687	CP	4.09	4.3	4.52	50	4	2	
MMSZ4688	CT	4.47	4.7	4.94	50	10	3	
MMSZ4689	CU	4.85	5.1	5.36	50	10	3	
MMSZ4690	CV	5.32	5.6	5.88	50	10	4	
MMSZ4691	CA	5.89	6.2	6.51	50	10	5	
MMSZ4692	CX	6.46	6.8	7.14	50	10	5.1	
MMSZ4693	CY	7.13	7.5	7.88	50	10	5.7	
MMSZ4694	CZ	7.79	8.2	8.61	50	1	6.2	
MMSZ4695	DC	8.27	8.7	9.14	50	1	6.6	
MMSZ4696	DD	8.65	9.1	9.56	50	1	6.9	
MMSZ4697	DE	9.50	10	10.50	50	1	7.6	
MMSZ4698	DF	10.45	11	11.55	50	0.05	8.4	
MMSZ4699	DH	11.40	12	12.60	50	0.05	9.1	
MMSZ4700	DJ	12.35	13	13.65	50	0.05	9.8	
MMSZ4701	DK	13.30	14	14.70	50	0.05	10.6	
MMSZ4702	DM	14.25	15	15.75	50	0.05	11.4	
MMSZ4703*	DN	15.20	16	16.80	50	0.05	12.1	
MMSZ4704	DP	16.15	17	17.85	50	0.05	12.9	
MMSZ4705	DT	17.10	18	18.90	50	0.05	13.6	
MMSZ4706	DU	18.05	19	19.95	50	0.05	14.4	
MMSZ4707	DV	19.00	20	21.00	50	0.01	15.2	
MMSZ4708	DA	20.90	22	23.10	50	0.01	16.7	
MMSZ4709	DX	22.80	24	25.20	50	0.01	18.2	
MMSZ4710	DY	23.75	25	26.25	50	0.01	19.0	
MMSZ4711*	EA	25.65	27	28.35	50	0.01	20.4	
MMSZ4712	EC	26.60	28	29.40	50	0.01	21.2	
MMSZ4713	ED	28.50	30	31.50	50	0.01	22.8	
MMSZ4714	EE	31.35	33	34.65	50	0.01	25.0	
MMSZ4715	EF	34.20	36	37.80	50	0.01	27.3	
MMSZ4716	EH	37.05	39	40.95	50	0.01	29.6	
MMSZ4717	EJ	40.85	43	45.15	50	0.01	32.6	

1. Nominal Zener voltage is measured with the device junction in thermal equilibrium at T_L = 30°C ±1°C

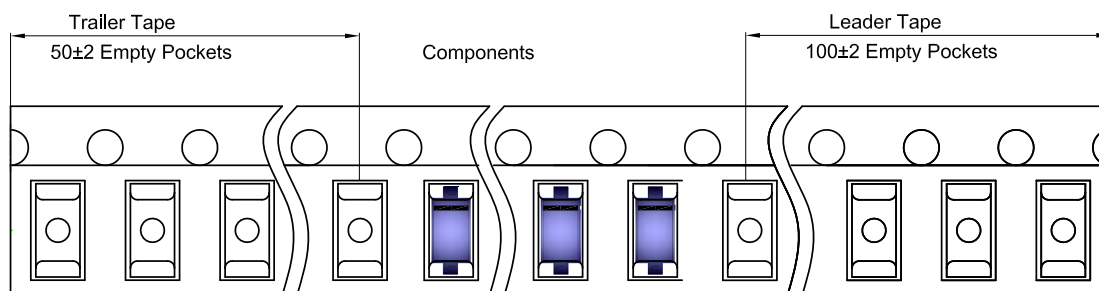
SOD-123 Tape and Reel

SOD-123 Embossed Carrier Tape

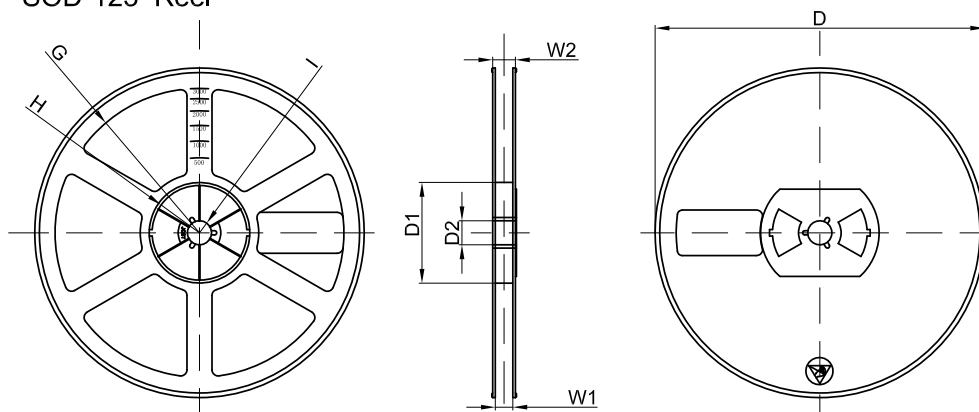


Dimensions are in millimeter										
Pkg type	A	B	C	d	E	F	P0	P	P1	W
SOD-123	1.85	3.95	1.57	Ø1.55	1.75	3.50	4.00	4.00	2.00	8.00

SOD-123 Tape Leader and Trailer

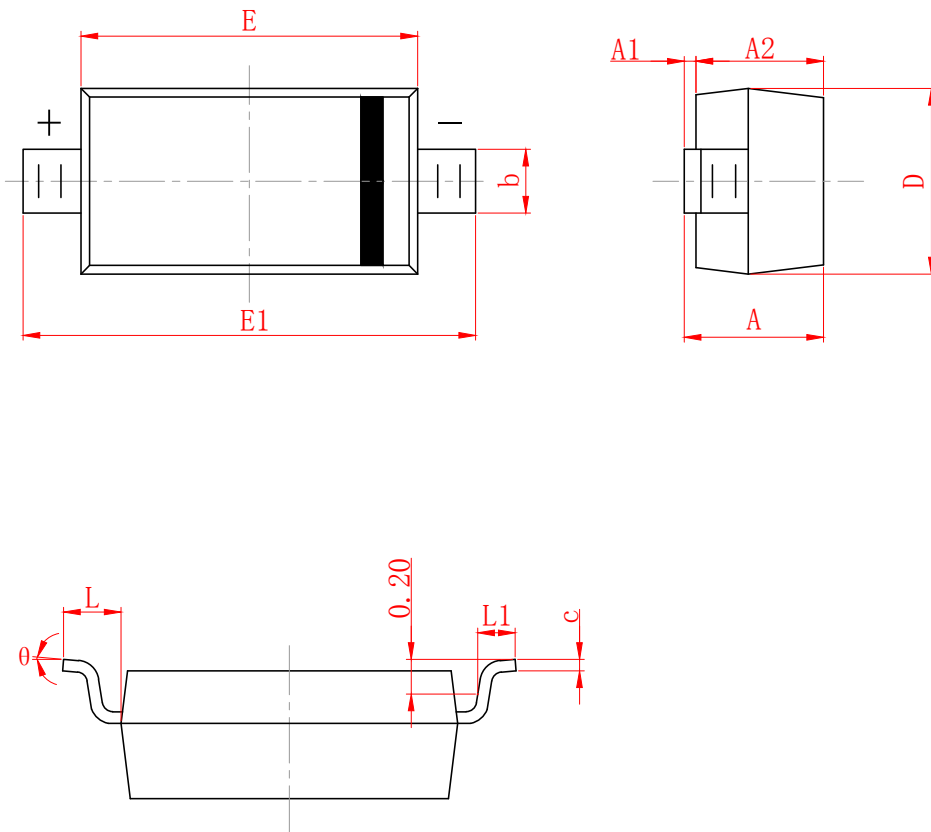


SOD-123 Reel



Dimensions are in millimeter								
Reel Option	D	D1	D2	G	H	I	W1	W2
7" Dia	Ø178.00	54.40	13.00	R78.00	R25.60	R6.50	9.50	12.30

REEL	Reel Size	Box	Box Size(mm)	Carton	Carton Size(mm)	G.W.(kg)
3000 pcs	7 inch	45,000 pcs	203×203×195	180,000 pcs	438×438×220	



SYMBOL	MILLIMETER	
	MIN	MAX
A	1.050	1.250
A1	0.000	0.100
A2	1.050	1.150
b	0.450	0.650
c	0.008	0.150
D	1.500	1.700
E	2.600	2.800
E1	3.550	3.850
L	0.500 (REF)	
L1	0.250	0.450
θ	0°	8°

DISCLAIMER

JHG PROVIDES TECHNICAL AND RELIABILITY DATA (INCLUDING DATASHEETS), DESIGN RESOURCES (INCLUDING REFERENCE DESIGNS), APPLICATION OR OTHER DESIGN ADVICE, SAFETY INFORMATION, AND OTHER RESOURCES "AS IS" AND WITH ALL FAULTS, AND DISCLAIMS ALL WARRANTIES, EXPRESS AND IMPLIED, INCLUDING WITHOUT LIMITATION ANY IMPLIED WARRANTIES OF MERCHANTABILITY, FITNESS FOR A PARTICULAR PURPOSE OR NON-INFRINGEMENT OF THIRD PARTY INTELLECTUAL PROPERTY RIGHTS.

These resources are intended for skilled developers designing with JHG products. You are solely responsible for

- (1) selecting the appropriate JHG products for your application;
- (2) designing, validating and testing your application;
- (3) ensuring your application meets applicable standards, and any other safety, security, or other requirements.

These resources are subject to change without notice. JHG grants you permission to use these resources only for development of an application that uses the JHG products described in the resource. Other reproduction and display of these resources are prohibited. No license is granted to any other JHG intellectual property right or to any third party intellectual property right. JHG disclaims responsibility for, and you will fully indemnify JHG and its representatives against, any claims, damages, costs, losses, and liabilities arising out of your use of these resources.